

1.jpg (1616x2271x24b jpeg)



WETCO

شرکت فناوری تجهیزات سرچاهی
(سهامی خاص)

WETCO

Wellhead Equipment Technology Co. (WETCO)

Head Office: No. 5, Nikray Alley, shams
tabrizi St. Mirdamad Blvd., Tehran, Iran

Factory: # 6 Golshid, Nakhlestan Blvd,
Negharestan Blvd, shams abad Industrial
City, Km 44 Tehran-Qom Road.

P.O.Box: 19395-569

Tel: +98-21 22274015 , +98-21 22274023

Fax: +98-21 22261309

Web Site: www.wetco.ir

E-Mail: info@wetco.ir



WETCO

Wellhead Equipment Technology Co.

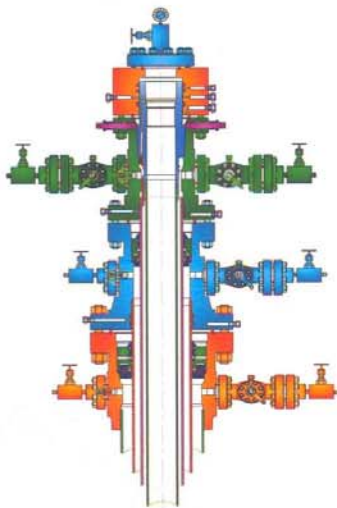
History:

- A joint venture established by ABB and Wellhead Equipment Technology Co. (WETCO) opened a purpose-built facility in Iran to manufacture equipment for oil and gas industries in 2001.
- ABB and WETCO both hold interests in the company which developed the plant at Shams Abad ; 45 Km South of Tehran to produce a range of equipment including Surface Wellheads, X-mas Trees and Gate Valves.
- In July 2004, ABB sold the part of its Oil & Gas business to a Financial Consortium and this sale included ABB Vetco Gray as well. This division named Vetco Gray.
- Afterwards, only the JV's name changed to Vetco Gray - WETCO. but everything else remained unchanged until summer 2005 that Vetco Gray sold its shares to Iranian partner WETCO.
- Since then WETCO continues to manufacture full range of wellhead equipment and relevant accessories strictly according to API and NACE standards and specifications.
- WETCO is specialized in design and manufacturing Wellhead Equipment, X-mas tree and other accessories for Oil & Gas wells in different sizes.



WETCO offers complete sets of conventional Wellhead and Christmas tree and also compact wellhead assembly to suit all casing and tubing programs for working pressure up to 15000psi according to API 6A and in compliance with NACE MR0175.

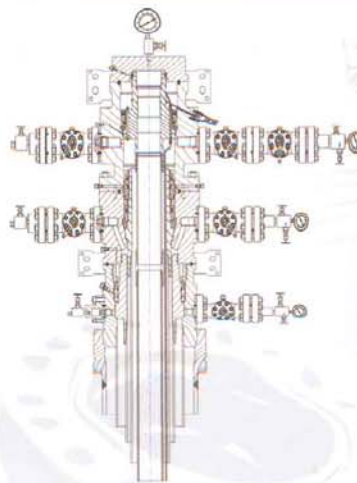
WETCO products covers all range of:
Material Class (M/C): AA, BB, CC, DD, EE, FF, HH.
Temperature Rating (T/R): K, L, P, R, S, T, U, V.
Product Specification Level (PSL): 1, 2, 3, 3G, 4.
Performance Requirements: PR1, PR2.



A typical conventional wellhead consists of a lowermost casing head housing with casing hanger, an intermediate casing head spool with casing hanger and tubing suspension equipment including tubing head spool and tubing hanger.

All casing heads can be provided with secondary pack-off assembly.

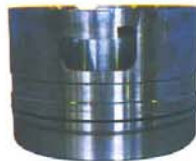
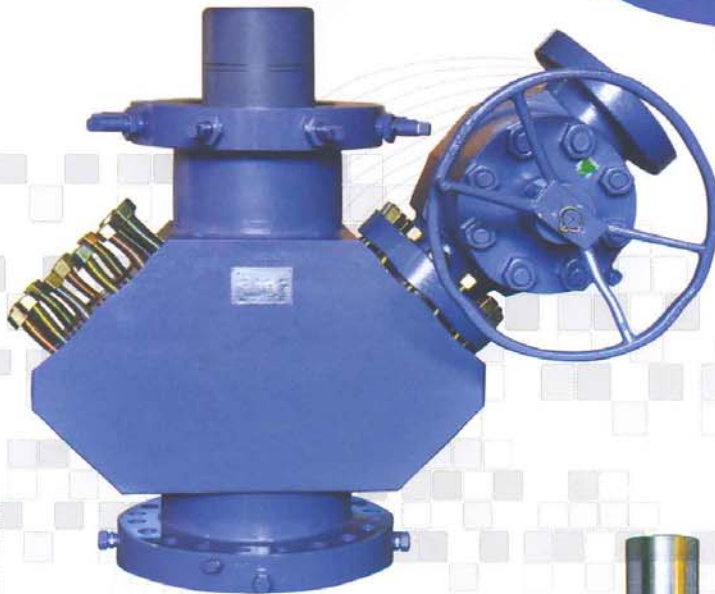
Compact wellheads or semi-compact wellheads permit multiple tabular strings to run into a single or split wellhead spool, eliminating one of the BOP steps. Safety is substantially increased, while operational time decreased.



WETCO

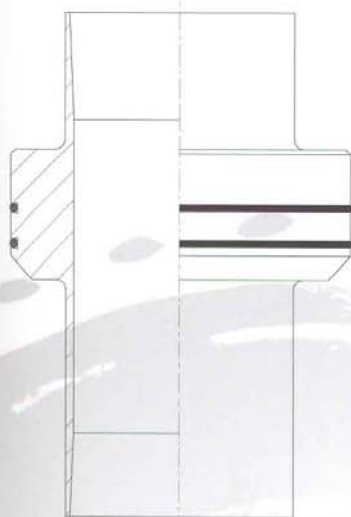
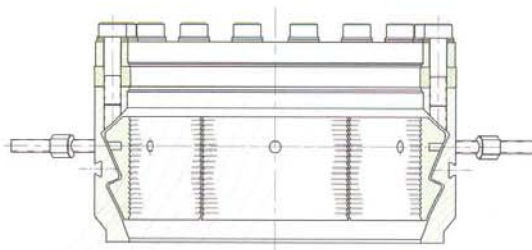
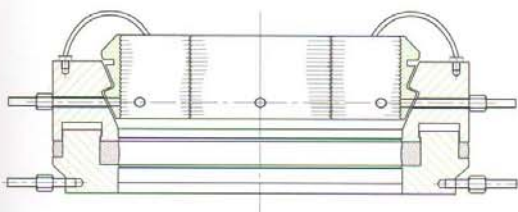
The casing head housing, casing head spool and tubing head spool options are available, to meet customers requirements:

- API flanged/ clamped connection.
- Outlet connections: API studded, API flanged, API threaded.



Casing Hanger:

1- Automatic types of slip style casing hanger are set automatically, Supporting the entire weight of the casing in full tension and automatically sealing the annulus.
2- Non – automatic types of slip style casing hanger are used in the same carrying capacity as the automatic type, but sealing element is mechanically activated by cap screws.



Mandrel style casing hanger:

It is a one piece hanger which is threaded onto the end of the casing string.

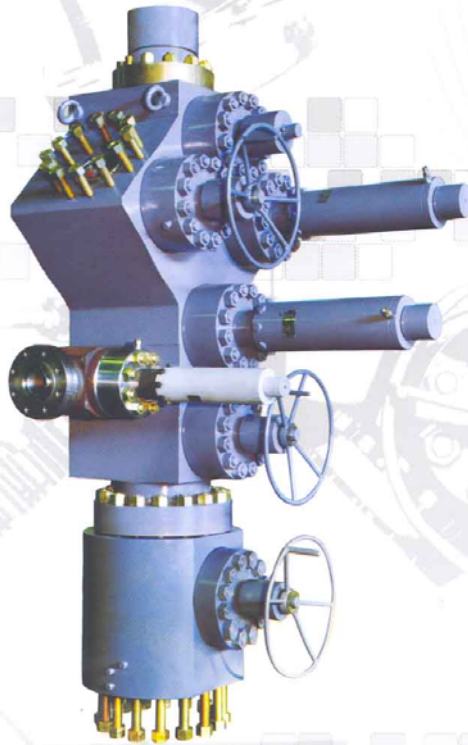
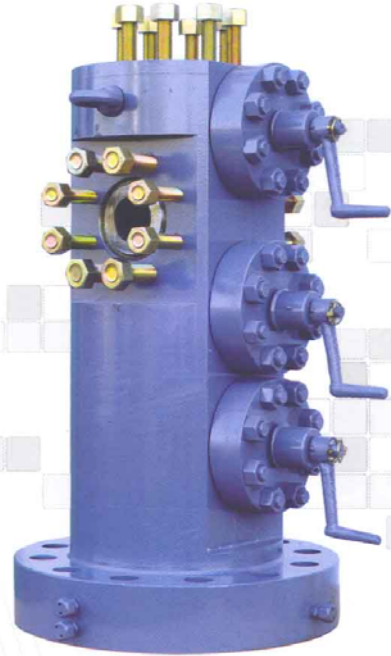


WETCO

Composite Tree:

A Composite tree consists of critical flow control components assembled into a single block body. By eliminating the connections between components the possibility for leak in a fire condition is greatly reduced as these connections tend to fail in a fire.

WETCO offers all customized configuration of composite block valves. The valves are manufactured as a single solid-forged assembly consisting upper and lower master valves, wing valves and swab valves.



Typical Production head for 10000 psi application including lower master gate valve and composite tree with 6-3/8" bore.



WETCO Gate Valve Specifications:

- Floating one piece slab gate.
- Bi-directional.
- Trough conduit.
- Flanged / clamp hub / threaded / weld ends
- Metal – to – metal sealing.
- Special inert spring –loaded lip seals.
- Low pressure seat to body sealing.

WETCO valves are available in all standard trims AA– to – HH, temperature rating K-to-V to meet the requirements of PSL– 1 to PSL- 3G, sizes from 1-13/16" to 9" and pressure rating up to 15000 psi.



WETCO

Wellhead Equipment Technology Co. (WETCO)



شرکت فناوری تجهیزات سر چاهی
(تهران - ۱۳۸۴)

